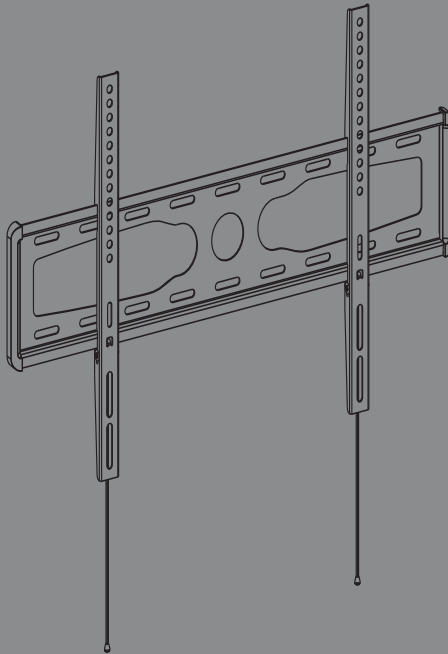




DX-DTVMFP23

TV Wall Mount



For either wood-stud or
concrete wall installations

Safety information and specifications . . . 2
Tools needed. 3
Package contents 3
Installation instructions. 5

Before using your new product, please read these instructions to prevent any damage.

Safety information and specifications



IMPORTANT SAFETY INSTRUCTIONS - SAVE THESE INSTRUCTIONS

CAUTION: Do not use this product for any purpose not explicitly specified by Dynex.

Improper installation may cause property damage or personal injury. If you do not understand these directions, or have doubts about the safety of the installation, contact Customer Service or call a qualified contractor. Dynex is not responsible for damage or injury caused by incorrect installation or use.

The weight of your TV must not exceed 120 lbs. (55 kg). The wall must be capable of supporting five times the weight of your TV and wall mount combined.

This product contains small items that could be a choking hazard if swallowed. Keep these items away from young children!

Maximum TV weight: 120 lbs. (55 kg)

TV screen size: 37 in. to 70 in. diagonal

Wall Mount dimensions (H × W × D):

27.2 × 16.9 × 0.9 in. (692 × 430 × 22 mm)

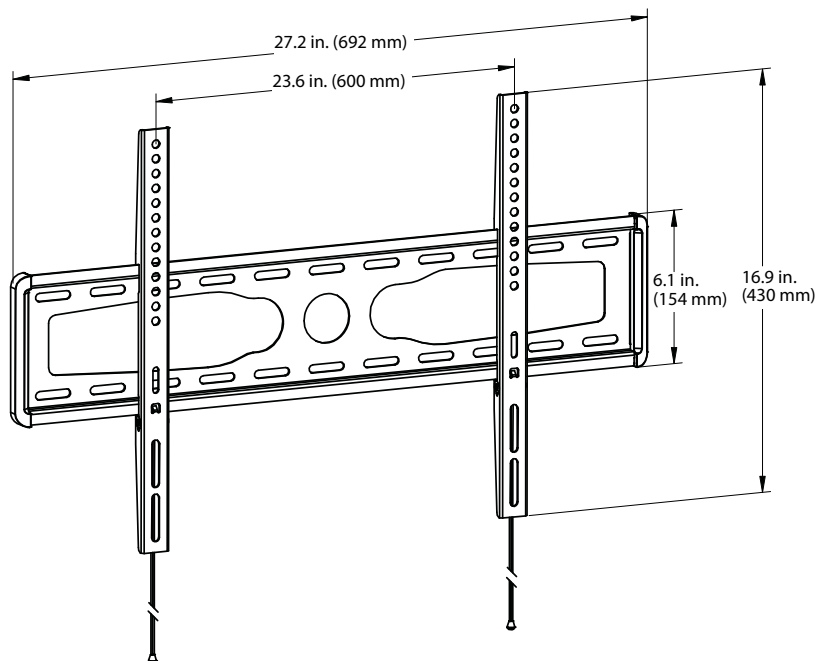
Wall-mount weight: 3.59 lbs. (1.63 kg)

We're here for you

www.dynexproducts.com

For customer service, call:

1-800-305-2204 (U.S. and Canada) or 01-800-926-3020 (Mexico)



Tools needed

You will need the following tools to assemble your new TV wall mount:



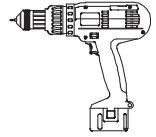
Edge-to-edge
stud finder



Pencil



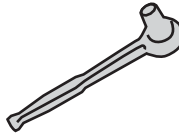
Magnetic Removable Level



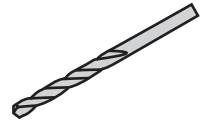
Drill



Phillips screwdriver



Socket wrench with 1/2"
(13 mm) socket or
adjustable wrench



3/16" (5 mm) wood drill bit for
wood stud wall

OR

3/8" (10 mm) masonry drill bit
(concrete only)



Measuring tape



Hammer

Package contents

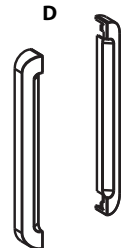
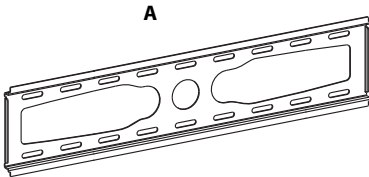
Make sure that you have all the hardware necessary to assemble your new TV wall mount:

A Wall Plate (1)








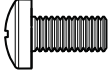
C Right TV Bracket (1)


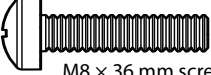

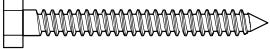


B Left TV Bracket (1)

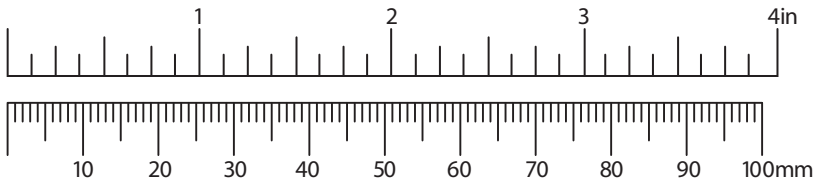
D Plastic covers (2)



TV Hardware Bag

Label	Hardware	Qty.
E	 M4 x 12 mm screw	4
F	 M4 x 35 mm screw	4
G	 M4 washer	8
H	 M6/M8 washer	4
I	 Universal spacers	4
J	 M6 x 12 mm screw	4
K	 M6 x 35 mm screw	4
L	 M8 x 16 mm screw	4

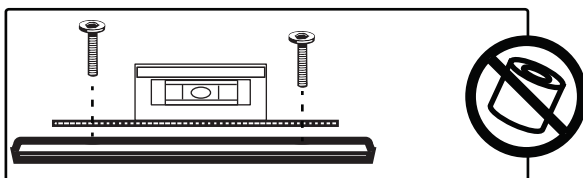
Label	Hardware	Qty.
M	 M8 x 20 mm screw	4
N	 M8 x 36 mm screw	4
O	 Lag bolt washer	4
P	 5/16" x 2 3/4" lag bolt	4
Q	 Concrete anchor	4
	 Magnetic removable level	1



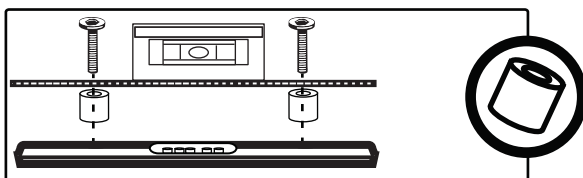
Installation instructions

STEP 1- Determine whether your TV has a flat back or an irregular or obstructed back

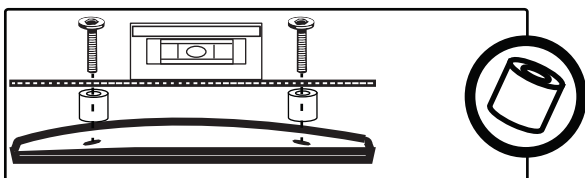
- 1 Carefully place your TV face-down on a cushioned, clean surface to protect the screen.
- 2 If your TV has a table-top stand attached, remove the stand. See the documentation that came with your TV for instructions.
- 3 Temporarily lay the TV brackets (**B** and **C**) on the back of your TV.
- 4 Align the screw holes in the TV brackets with the mounting screw holes on your TV.
- 5 Identify which type of back your TV may have:
 - **Flat back:** The brackets lay flush against the back of your TV and do not block any jacks. You do not need spacers when assembling the wall mount.



- **Obstructed back:** The brackets block one or more of the jacks on the back of your TV. You will need spacers when assembling the wall mount.



- **Irregularly-shaped back:** There is a gap between a bracket and some part of the back of your TV. You will need spacers when assembling the wall mount.



- 6 Remove the TV brackets.

STEP 2 - Select screws, washers, and spacers

- 1 Select the hardware for your TV (screws, washers, and spacers). Some TVs come with mounting hardware included (usually in the holes on the back of the TV.) If you don't know the correct length of the mounting screws your TV requires, test various sizes by hand threading the screws.

a. Select one of the following types of screws:

Flat back

M4 × 12 mm screws (E) M4 × 35 mm screws (F)
 M6 × 12 mm screws (J) M6 × 35 mm screws (K)
 M8 × 16 mm screws (L) M8 × 36 mm screws (N)
 M8 × 20 mm screws (M)

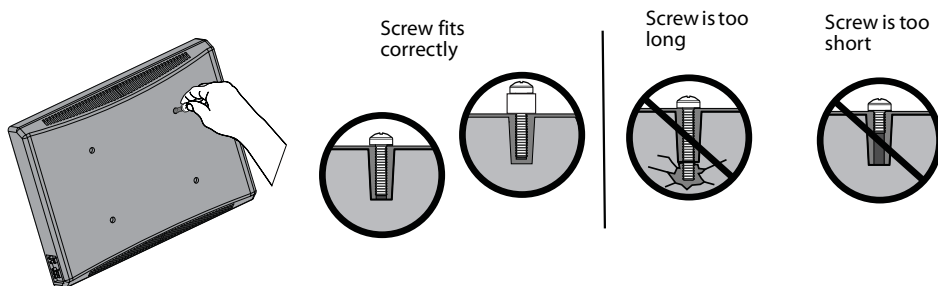
Obstructed back

b. Select from the following washers:

M4 washer (G) M6/M8 washer (H)

c. For an irregular or obstructed TV back, use the universal spacers (I).

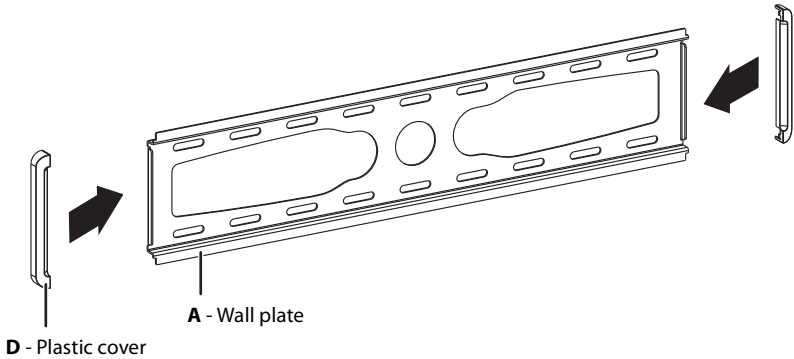
CAUTION: To avoid potential personal injuries and property damage, make sure that there are adequate threads to secure the brackets to your TV. If you encounter resistance, stop immediately and contact customer service. Use the shortest screw and spacer combination to accommodate your TV. Using hardware that is too long may damage your TV. However, using a screw that is too short may cause your TV to fall from the mount.



- 2 Remove the screws.

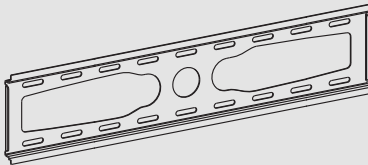
STEP 3 - Attaching the plastic covers to the wall plate

- 1 Fit the plastic covers (D) over the ends of the wall plate (A).



- 2 For a flat back TV, go to "STEP 4 - Option 1: Attaching the mounting hardware to TVs with a flat back" on page 8.
-OR-
For an irregular or obstructed back, go to "STEP 4 - Option 2: Attaching the mounting hardware to TVs with irregular or obstructed backs" on page 9.

You'll need



A - Wall plate

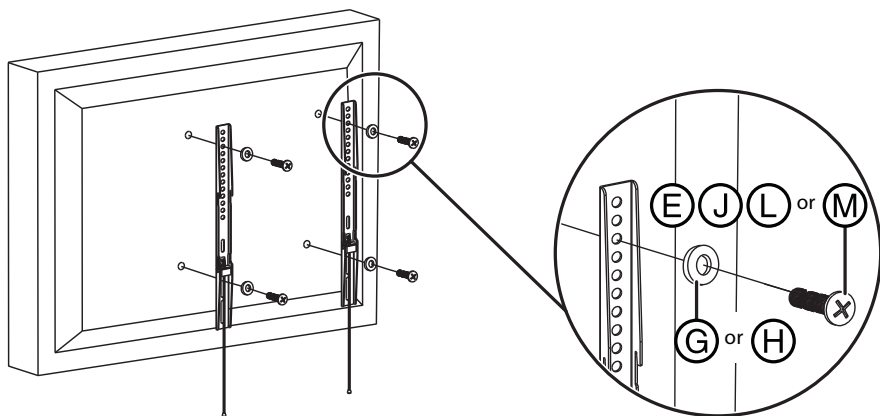


D - Plastic covers (2)

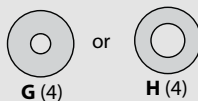
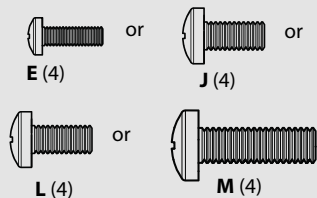
STEP 4 - Option 1: Attaching the mounting hardware to TVs with a flat back

Note: If you plan to use a 5° tilt with a larger TV (42"+), we suggest using spacers with the mounting brackets so that the bottom of the TV does not touch the wall.

- 1 Align the left and right TV brackets (**B** and **C**) with the screw holes on the back of the TV. Make sure that the brackets are level.
- 2 Install washers (**G** or **H**), and screws (**E**, **J**, **L**, or **M**) into the holes in the back of the TV.
- 3 Tighten the screws until they are snug against the TV brackets. Do not over tighten.



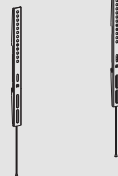
You'll need



Phillips screwdriver



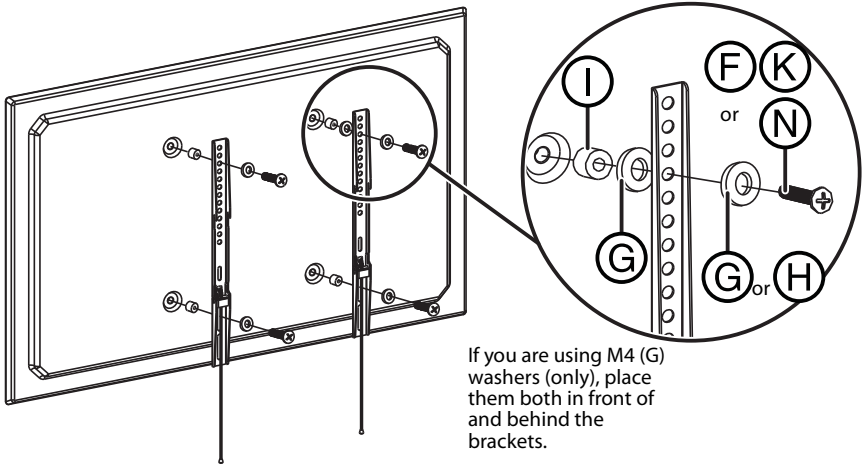
Level



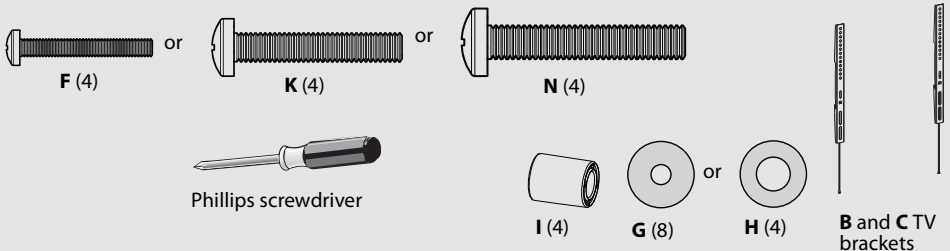
B and **C** TV brackets

STEP 4 - Option 2: Attaching the mounting hardware to TVs with irregular or obstructed backs

- 1 Place spacers (I) over the screw holes on the back of the TV.
- 1 Align the left and right TV brackets (B and C) with the screw holes on the back of the TV. Make sure that the brackets are level.
- 2 If you are using M4 washers (G), place them between the spacers and TV brackets and over the holes in the TV brackets. If you are using M6/M8 washers (H), place them over the holes in the TV brackets. Insert screws (F, K, or N) through the washers, TV brackets, and spacers.
- 3 Tighten the screws until they are snug against the TV brackets. Do not over tighten.



You'll need



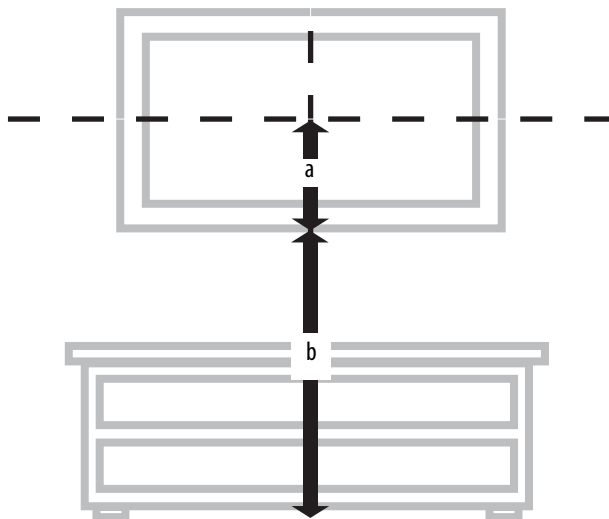
STEP 5 - Determine wall-mount location

Notes:

- For more detailed information on determining where to drill your holes, visit our online height-finder at: <http://mf1.bestbuy.selectionassistant.com/index.php/heightfinder>
- Your TV should be high enough so your eyes are level with the middle of the screen. Normally, this is 40 to 60 inches from the ground.

The center of your TV will match the center of the wall plate (A). Before you drill holes in the wall:

- 1 Measure the distance from the bottom of your TV to the middle (half of the height of the TV). This is measurement **a**.
- 2 Measure the distance from the floor to where you want the bottom of the TV to be placed on the wall. Keep in mind that the bottom of the TV should be placed above any furniture (such as entertainment centers or TV stands). The TV should also be above items placed on top of the furniture (like a Blu-ray player or cable box). This measurement is **b**.
- 3 Add **a** + **b**. The total measurement is the height where you want the center of the wall plate to be on the wall.
- 4 Use a pencil to mark this spot on the wall.



You'll need



Measuring tape



Pencil

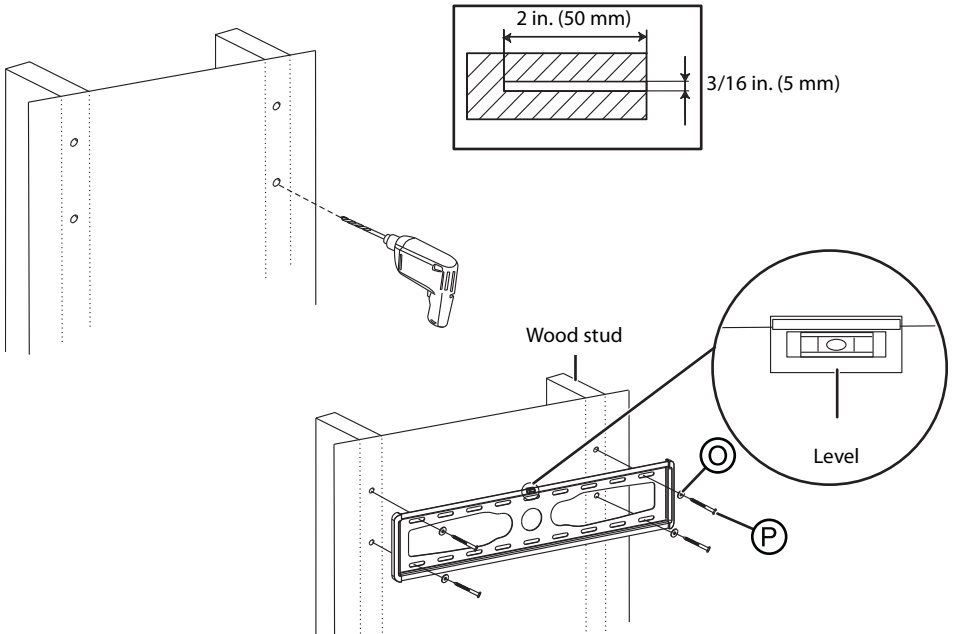
STEP 6 - Option 1: Installing on a wood stud wall

Note: Any drywall covering the wall must not exceed 5/8" (16 mm).

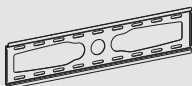
- 1 Locate the studs. Verify the centers of the studs with an edge-to-edge stud finder.
- 2 Align the wall plate (A) at the height you determined in the previous step, make sure that it is level, then use a pencil to mark the lag bolt hole locations (4) on the stud centers. Remove the wall plate (A).
- 3 Drill pilot holes to a depth of 2 in. (50 mm) using a 3/16 in. (5 mm) diameter drill bit.
- 4 Align the wall plate (A) with the pilot holes, insert the lag bolts (P) through the lag bolt washers (O), then through the holes in the wall plate. Tighten the lag bolts only until they are firm against the wall plate.

CAUTION: Avoid potential injuries or property damage! **DO NOT** over-tighten the lag bolts (P).

- Minimum wood stud size: common 2 x 4 in. (51 x 102 mm) nominal 1 1/2 x 3 1/2 in. (38 x 89 mm).
- Minimum spacing between horizontal fasteners cannot be less than 16 in. (40 cm)



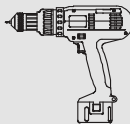
You'll need



Wall plate (A)



Pencil



Drill



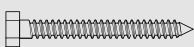
3/16" wood drill bit



1/2" socket wrench



Edge-to-edge stud finder



P (4)




O (4)



Level

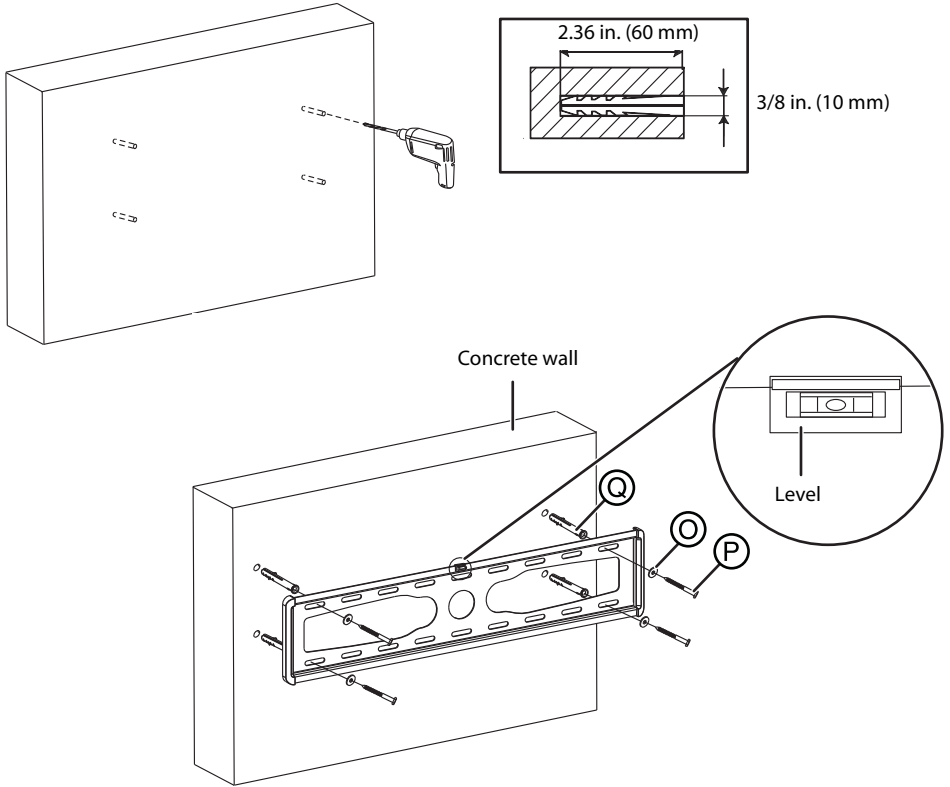
STEP 6 - Option 2: Installing on a solid concrete or concrete block wall

 **CAUTION:** To prevent property damage or personal injury, never drill into mortar between blocks. Mount the wall plate directly onto the concrete surface.

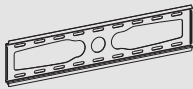
- 1 Align the wall plate (**A**) at the height you determined in the previous step, make sure that it is level, then use a pencil to mark the lag bolt hole locations (4). Remove the wall plate (**A**).
- 2 Drill pilot holes to a depth of 2.36 in. (60 mm) using a 3/8 in. (10 mm) diameter masonry drill bit.
- 3 Insert the concrete wall anchors (**Q**) into the pilot holes and use a hammer to make sure the anchors are flush with the concrete surface.
- 4 Align the wall plate (**A**) with the anchors, insert the lag bolts (**P**) through the lag bolt washers (**O**), then through the holes in the wall plate. Tighten the lag bolts only until they are firm against the wall plate.

 **CAUTION:** Avoid potential injuries or property damage! DO NOT over-tighten the lag bolts (**P**).

- * Minimum solid concrete thickness: 8 in. (203mm).
 - * Minimum concrete block size: 8 x 8 x 16 in. (203 x 203 x 406 mm).
- The minimum distance between the top two fasteners cannot be less than 16 in. (40 cm)



You'll need



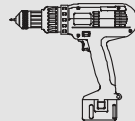
Wall plate (A)



Pencil



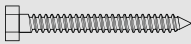
3/8" masonry drill bit



Drill



1/2" socket wrench



P (4)



Q (4)



O (4)



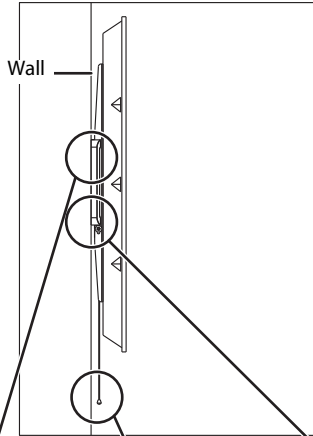
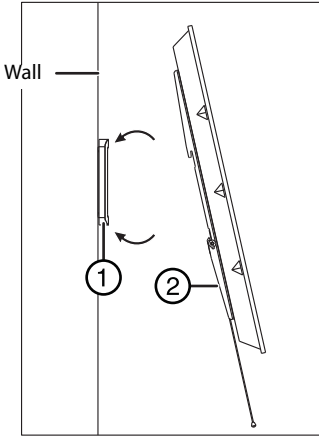
Level

STEP 7 - Mounting the TV to the wall plate

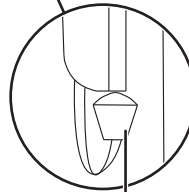
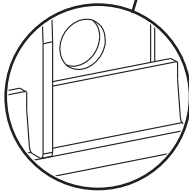
- 1 Place the TV brackets (B and C) into the slotted flanges of the wall plate (A).
- 2 Push the bottom of the TV toward the wall until the spring self-locking system clicks into place.



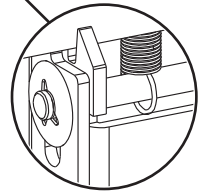
HEAVY! You will need assistance with this step.



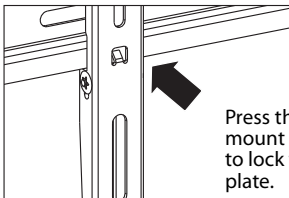
The brackets must engage the slotted flanges of the wall plate to hold your TV in place.



The pendants have a magnetic button on the end so that you can stick them to the brackets to keep them out of sight.



The spring self-locking system engages the wall plate when you press on the brackets after mounting your TV. This prevents your TV from jarring loose.



Press the brackets after you mount the TV to the wall plate to lock the assembly to the wall plate.

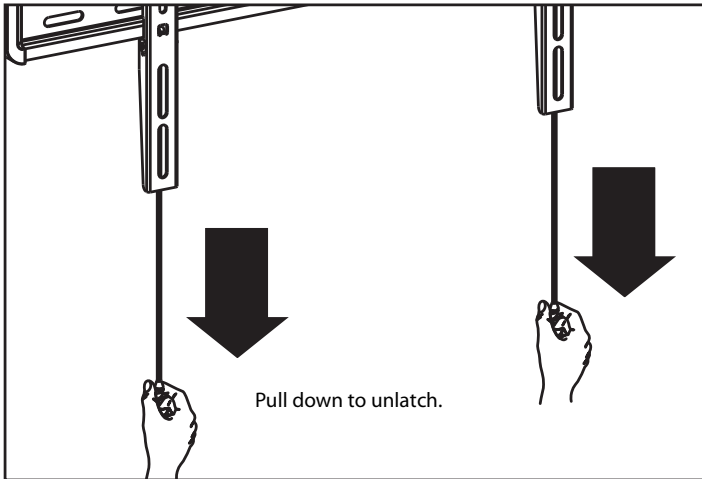
Congratulations, you have finished the installation. Time to watch some TV!

If you ever need to remove the TV from the wall plate

- 1 Grasp the TV by the bottom edge, then pull down on the locking cords and pull the bottom of the TV out from the wall.
- 2 Release the locking cords and lift the top of the TV from the wall bracket.



HEAVY! You will need assistance with this step.



DYNEX™

www.dynexproducts.com
1-800-305-2204 (U.S. and Canada) or 01-800-926-3020 (Mexico)
DYNEX is a trademark of Best Buy and its affiliated companies.
Registered in some countries.
Distributed by Best Buy Purchasing, LLC
7601 Penn Ave. South, Richfield, MN 55423 U.S.A.
© 2014 Best Buy. All rights reserved.
Made in China.

V1 ENGLISH 14-1054